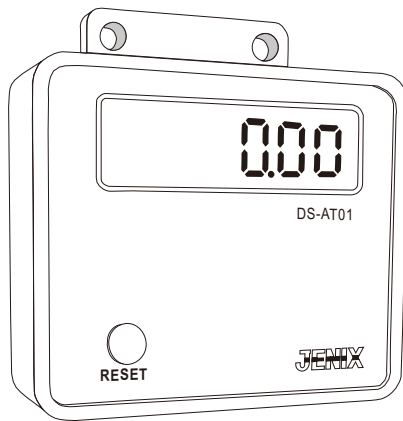


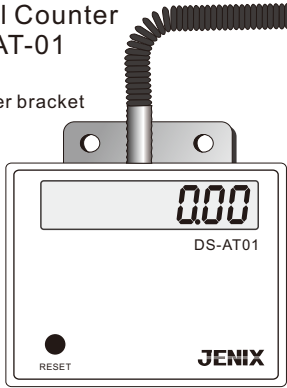
DS-AT01 MANUAL



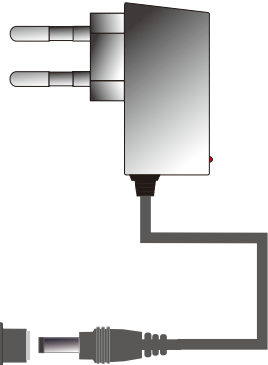
Product Composition

Quill Counter
AT-01

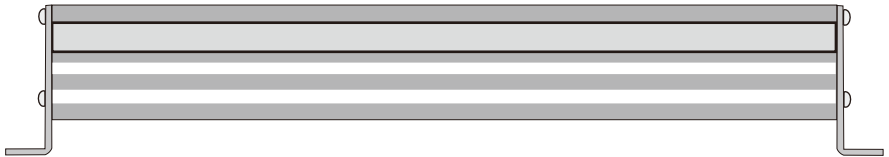
Counter bracket



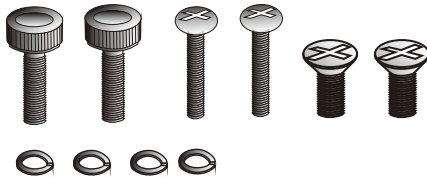
Power Adapter(5V, 1A)



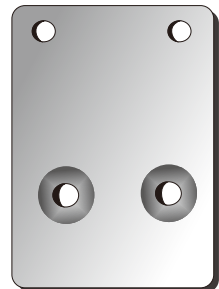
Magnetic Scale



Bolts & Spring Washers

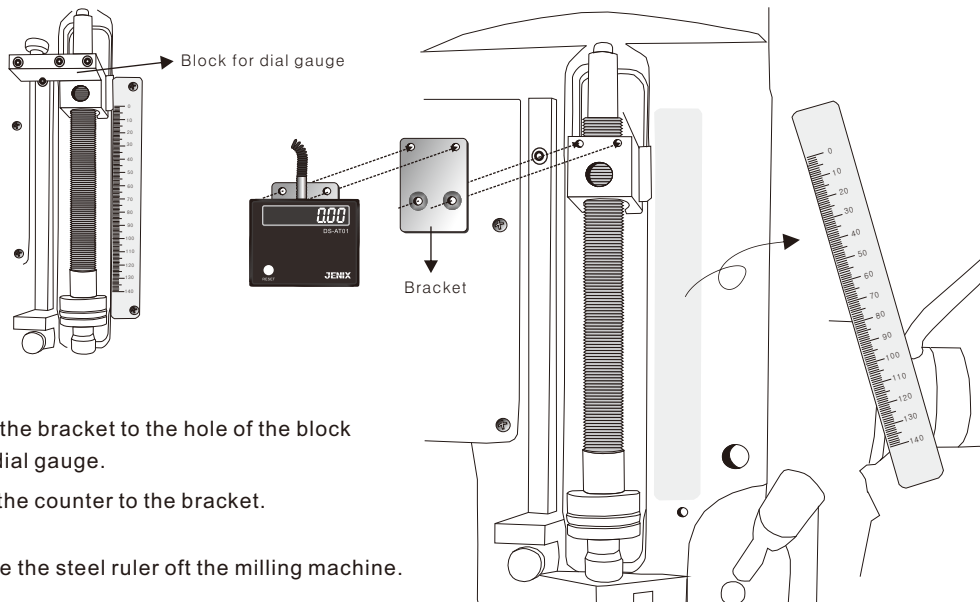


Bracket

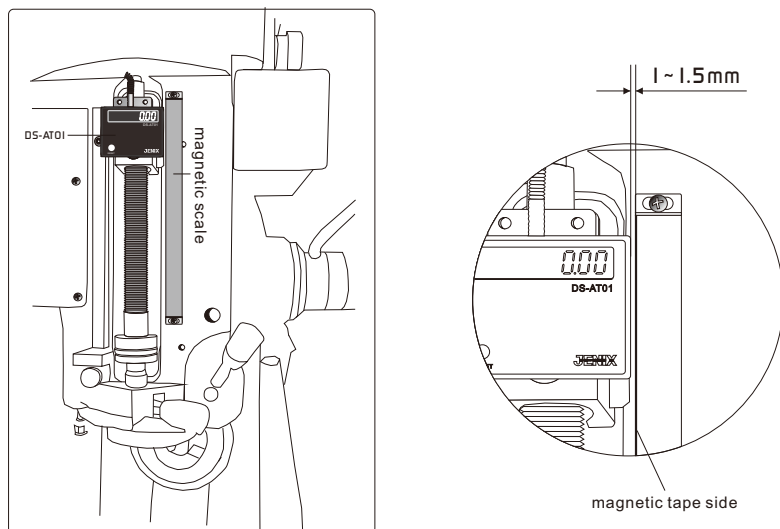


Mounting

1. Remove the block for dial gauge from the milling machine.



2. Fix the bracket to the hole of the block for dial gauge.
3. Fix the counter to the bracket.
4. Take the steel ruler off the milling machine.
5. At the place of the steel ruler, mark the position of the magnetic scale and make holes and taps for magnetic scale mounting.
6. Fix the magnetic scale, by facing the magnetic tape side with the counter. Make sure the counter and scale to be parallel with $1 \sim 1.5$ mm gap.



How to use

Initializing : Push the RESET button.

ON / OFF: Push RESET button for 2.5sec.

※ Resolution of this product is fixed to $10\mu\text{m}$ (1/100 mm).

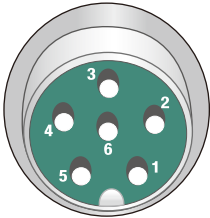
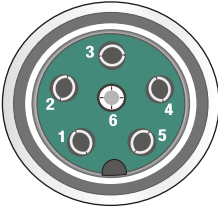
SPECIFICATIONS OF DS-AT01

Items	Digital Readout
Display	Green 7 segment(LED), 6 digits
mm/inch	"mm" only
Display resolution	0.01 mm ($10\mu\text{m}$)
Operation Temperature	-5°C ~ 45°C / 23°F ~ 113°F
Power Consumption	5W
Dimensions & Weight	69 x 59 x 20 (mm), 0.15kg
Power	Adapter (DC5V, 1A), Input DC 100~240V, 50~60Hz 0.2A
External housing	Plastic

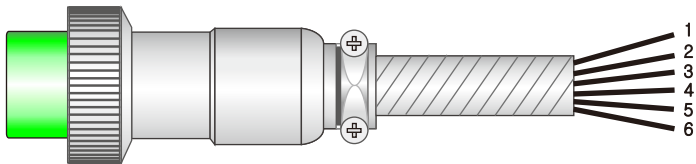
Items	Magnetic Linear Scale
Dimensions & Weight	215 x 45 x 15 (mm), 0.15kg
Magnetic Pitch	5 mm
Measurable distance	Standard 185mm (can be different from customers' demand)
Magnetic tape	Tape with a cover, aluminum stay and brackets

Package dimensions & weight	220 x 165 x 85 mm, 0.62kg
-----------------------------	---------------------------

PIN (6-pin) Information

Counter	Scale
	
1 PIN : + (+5V) 2 PIN : A 3 PIN : B 4 PIN : Z 5 PIN : - (0V) 6 PIN : Shield	1 PIN : + (+5V) 2 PIN : A 3 PIN : B 4 PIN : Z 5 PIN : - (0V) 6 PIN : Shield

PIN & Color



PIN	Color	Signal
1 PIN	RED	+ (+5V)
2 PIN	YELLOW	A (+4.2V)
3 PIN	WHITE	B (+4.2V)
4 PIN	GREEN	Z (+0.4V)
5 PIN	BLACK	- (+0V)
6 PIN	BLACK SHIELD	Shield (GND)

DC adapter spec.

Input	AC 100~240V / 60Hz, 0.6A
Output	DC5V = 1A
Size	Internal diameter: \varnothing 2.1mm External diameter: \varnothing 5.5mm

Certificate of Warranty

Product: **Quill Counter (sensor integrated)**

Model: DS-AT01

Purchase date(day/month/year): _____

Agent: _____

Name: _____

Phone No.: _____

1. This certificate warranty upon below statement.
2. Warranty period starts from the date you purchased the product. Please note the date.
In case there is no way to prove purchase date, warranty period will be counted from the day which passed 6 months from manufactured date.
3. This certificate is not reissued.

JENIX
DONG SAHN JENIX CO., LTD.



Compensations for the damages



	Damages	compensations	
		within the warranty period	passed the warranty period
malfunctioning or failure naturally happened under the normal use (in warranty period)	need important repairing within 10 days from purchase	exchange or refund	
	need important parts repairing within 1 month from purchase	exchange or refund	
	need important repairing of exchanged product within 1 month from the purchase date	in case of impossible exchange payment in full	
	Original defect	exchange impossible	free repair
	failure happed again regardless of repair for the same defect		refund (10% add to the cost with depreciation)
	need the fifth repair (have repaired four times)	repair impossible	
	impossible repair due to the parts to be replaced, repairer lost consigned consumer's product		
	damages while transport and installation.	exchange	
malfunctioning or failure by the users' fault or intentional use	repairing possible	repair at a cost	repair at a cost
	repairing impossible due to no stock of the parts	exchange with payment	exchange with payment (apply depreciation)
		repair at a cost	repair at a cost

■ Specific failures caused by natural disasters (fire, salt damage, gas, earthquake, storm and flood damage, etc.) ■ When replacing consumable parts which normally wear in use
 ■ If used due to the failure of the connected devices over the power and obtain specific failures ■ If due to external causes other than defects in the product itself
 ■ If someone who is not a technician of our service centers repaired or modified.

- Matters not specified herein are subject to the consumer compensation regulations.
- The compensation provisions are subject to the Fair Trade Commission Notification No. 2009-1 regulations.
- Cleaning and other instructions for adjustment or how to use are not involved in a fault.
- Customers service center (82) 02-2625-2222

Please keep this manual around the product.

DONG SAHN JENIX CO., LTD.
 1283 ORIRO GURO-GU, SEOUL, KOREA
 PHONE: 02-2625-2222 / FAX: 02-2625-2228 jenix@jenix.co.kr

<http://www.jenix.co.kr>

JENIX

ISO9001



DONG SAHN JENIX CO., LTD.

1283 ORIRO GOROGU SEOUL KOREA Tel: (82)2 2625 2222 Fax:(82)2 2625 2228
jenix@jenix.co.kr <http://www.jenix.co.kr>