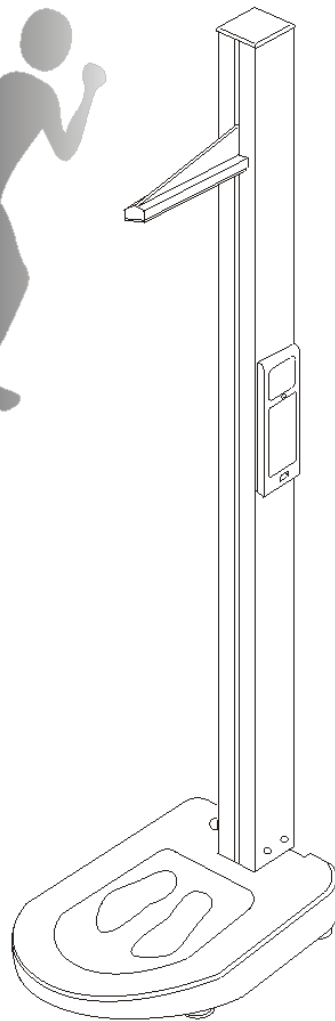


DS-102

# HEIGHT, WEIGHT AND FATNESS MEASURING SYSTEM

---

## F.M.S



MANUAL



**DONGSAHN JENIX CO.,LTD.**

**(주)동산제닉스**

# Contents

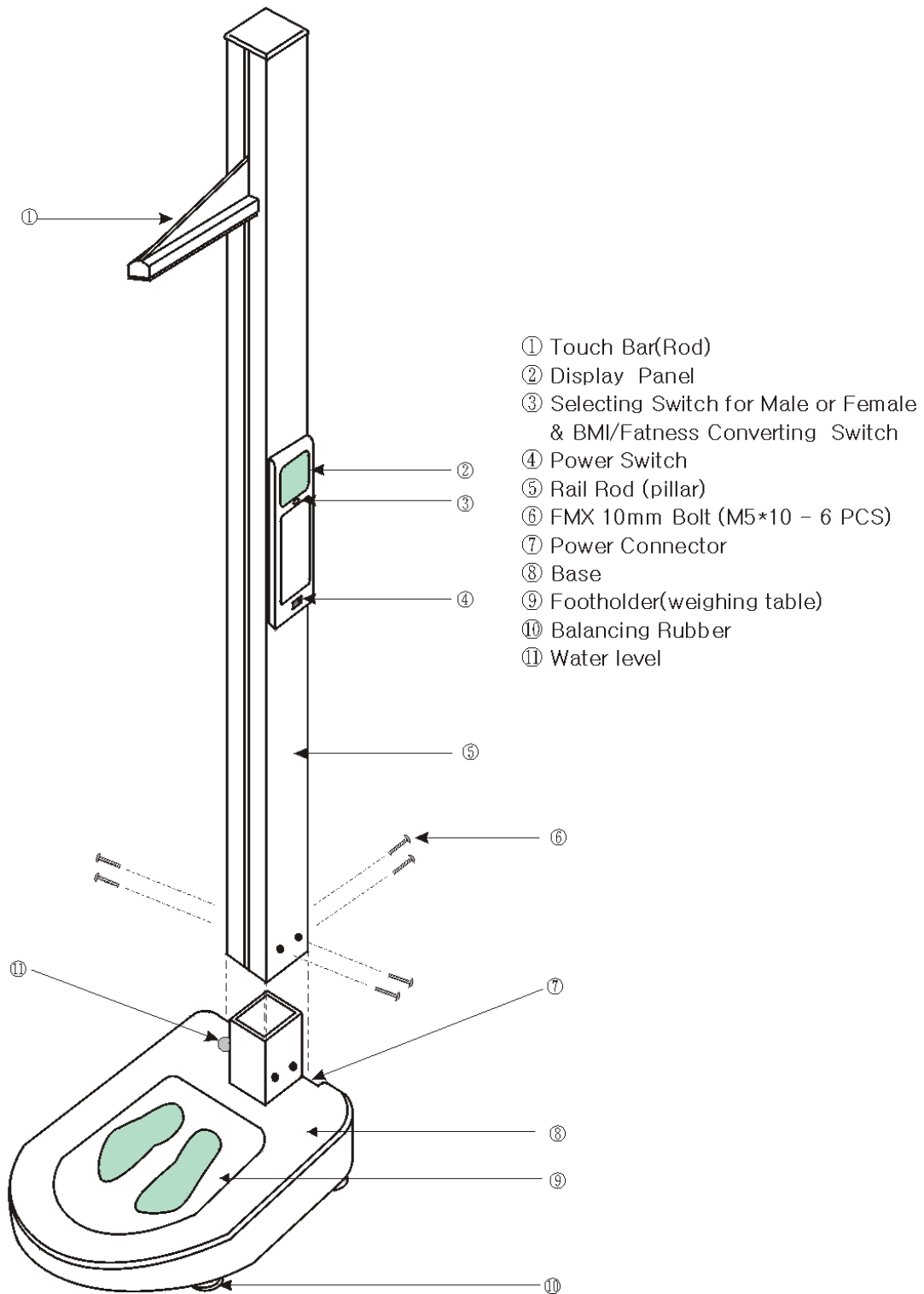
MODEL : DS-102

<b>1</b>	<b>Structures &amp; Terms</b> .....	<b>2</b>
<b>2</b>	<b>Assembling Procedures</b> .....	<b>3</b>
<b>3</b>	<b>How to Use</b> .....	<b>4</b>
<b>4</b>	<b>Criterion for Fatness</b> .....	<b>5</b>
<b>5</b>	<b>BMI Criterion</b> .....	<b>6</b>
<b>6</b>	<b>Trouble Shooting</b> .....	<b>7</b>
<b>7</b>	<b>Specifications</b> .....	<b>8</b>

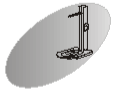


# 1 Structure & Term

---

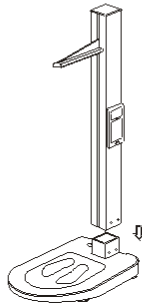


## 2 Assembling Procedure

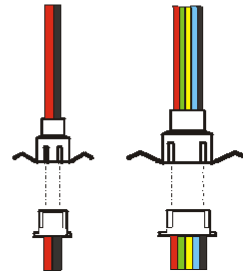


### Order

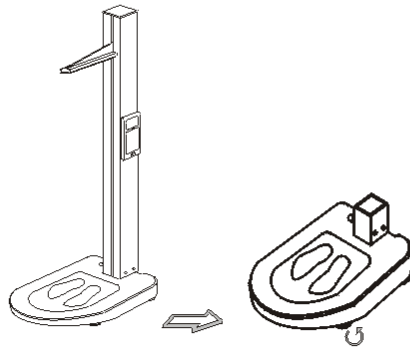
- 1** Insert ⑤ Rail Rod to ⑧ Base, and fasten with bolts.



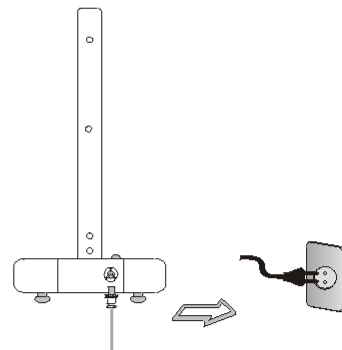
- 2** Lay on the side the body, join 2 connector in the bottom of Base According to the same color, shape.



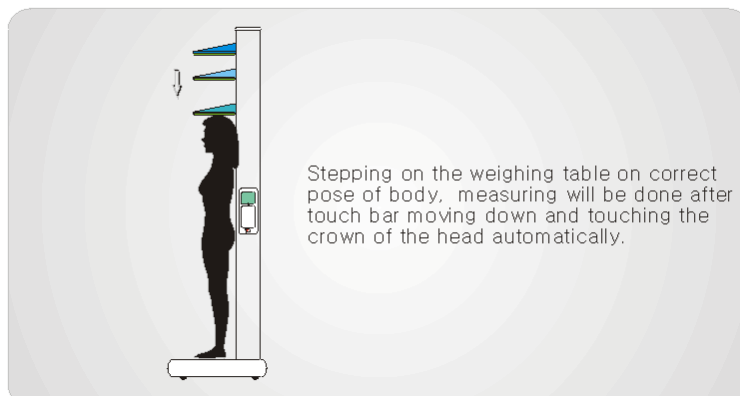
- 3** Levelling by adjusting ⑩ Balancing Rubber.



- 4** Connect power adapter to ⑦ Power connector and plug into AC220V power plug.



### Correct Pose of Body

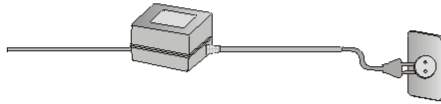


## 3 How to Use

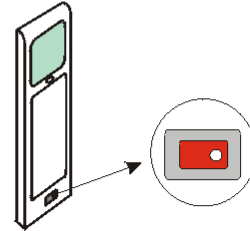


### MEASURING Order

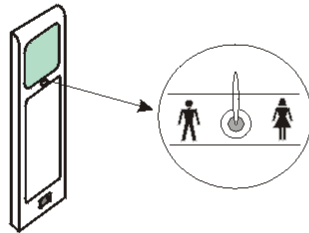
**1** Connect adapter into the power.



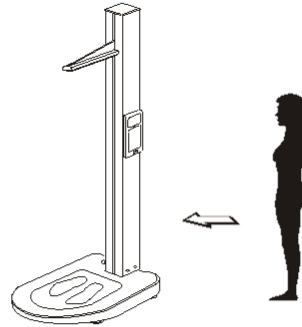
**2** Turn power switch ④ on.



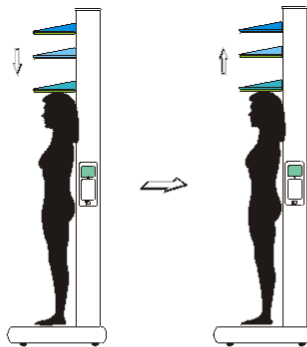
**3** After stopping of display flickering, turn the selection switch to "Male" or "Female".



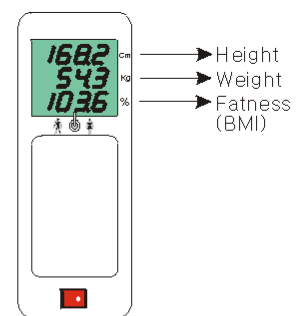
**4** Step on the foot-shaped line of weighing board. (Do not make any moving or leaning back on the pillar)



**5** After a moment, on touching the top of head, Touch Bar will move up.



**6** And now, confirm the height, weight and Fatness measured.



### Caution

If you want to measure again, step on the weighing board only after stopping of flickering.

## 4 Criterion For Fatness



### How to estimate

**MALE**



$$\frac{\text{Weight}}{(\text{Height} - 100) \times 0.9} \times 100\%$$

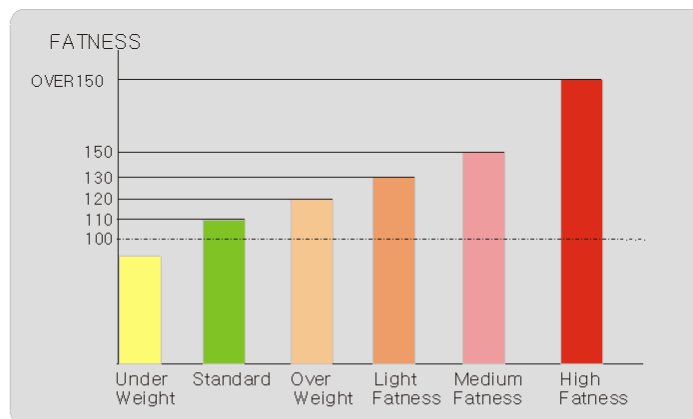
**FEMALE**



$$\frac{\text{Weight}}{(\text{Height} - 105) \times 0.9} \times 100\%$$

### RESULTS

- Below 100 : Under Weight
- 100 ~ 110 : Standard
- 110 ~ 120 : Over Weight
- 120 ~ 130 : Light Fatness
- 130 ~ 150 : Medium Fatness
- Over 150 : High Fatness



\* !! Caution : Do not apply to student under the age of 8 (under 4.26 ft)

# 5 BMI



Criterion

### BMI (Body Mass Index)

**BMI**  

$$\frac{\text{Weight(Kg)}}{(\text{Height(m)})^2}$$

For Adult

below 20 : under weight  
 20 ~ 25 : standard  
 25 ~ 30 : over weight  
 over 30 : fat

### BMI(KAUP)

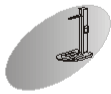
**BMI(KAUP)**  

$$\frac{\text{Weight(Kg)}}{(\text{Height(Cm)})^2} \times 100^2$$

For Infant

12 ~ 15 : under grown  
 15 ~ 18 : standard  
 18 ~ 20 : excellent  
 over 20 : fat

## 6 Trouble Shooting



### Doesn't it work?

- |                                |   |
|--------------------------------|---|
| ● No action                    | <ul style="list-style-type: none"><li>• Make sure whether power cord is plugged in or plugged loosely.</li><li>• Make sure that power supply is AC220V.</li><li>• Have you stepped on the board during display flickering?</li><li>• Have you touched Male/Female switch while measuring?</li></ul> |
| ● Sudden stopping of touch bar | <ul style="list-style-type: none"><li>• Turn off the power and turn it on again.</li><li>• Make sure that nothing is on the board area.</li></ul>   |
| ● Wrong measurement (Error)    | <ul style="list-style-type: none"><li>• After re-measuring about 5~10 times, turn the power off and turn it on again.</li><li>• Adjust it horizontally.</li></ul>   |
| ● Etc                          | <ul style="list-style-type: none"><li>• As possible, use in a fixed place as it is very sensitive.</li><li>• Adjust it horizontal by moving slicely.</li></ul>  |

### Caution

#### Power

- This product is designed for Ac220V use only.
- No unplugging by wet hand or pulling power cord ➡ It can cause electric shock.

#### NOTICE

- Do not impact against the Touch Bar since it is very sensitive.
- Only use in an available measurement range.
- After flickering of display 5~6 times, step on the Footholder of Base.(weighing board) ( It does not work while display is on flickering )
- Be careful not to touch Male/Female Switch when measuring.
- It might be loud friction sound when Touch Bar moving up and down but usually it reduces as use often.

#### CLEANING

- Be careful not to spill water or something inflammable.
- Plug out before cleaning, and do not use water, venzen, thinner and alchole. onto the product but only use dry duster.



## 7 Specifications

---



**Specs.**

### SPECIFICATIONS

ITEM	CONTENTS
MODEL	FATNESS MEASURING SYSTEM DS-102
USE	HEIGHT,WEIGHT,FATNESS MEASUREMENT
RANGE	HEIGHT 90 ~ 200Cm (2.95 ~ 6.56ft)
	WEIGHT 10 ~ 200Kg (22.04 ~ 440.92lb)
DIMENSIONS	410(W) × 550(D) × 2190(H)
WEIGHT	12Kg (26lb)
VOLTAGE	AC 220V 50/60Hz (ADAPTOR : DC12V)
WARRANTY	12 MONTHS



## **(주)동산제닉스**

서울특별시 구로구 궁동285-1 동산빌딩

TEL : (02) 2625-2222~7  
FAX : (02) 2625-2228  
U.R.L : [WWW.jenix.co.kr](http://WWW.jenix.co.kr)  
E-mail : [jenix@unitel.co.kr](mailto:jenix@unitel.co.kr)

