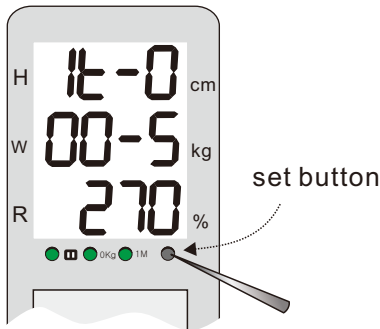


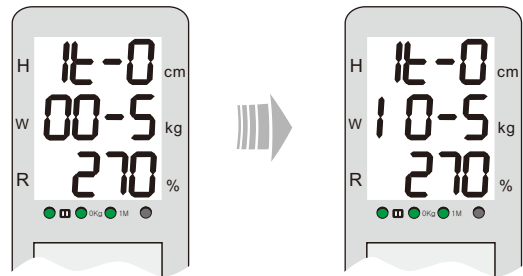
# DS-B03 Zero Setting (initializing)

1. Preparation: 10kg weight x 1pc , 50cm stick x 1pc
2. As height & weight settings are in one procedure, each setting for height or weight cannot be done separately.
3. This setting can be done for inaccuracy of height or weight.
4. Before starting, place the touch-bar in the right end.

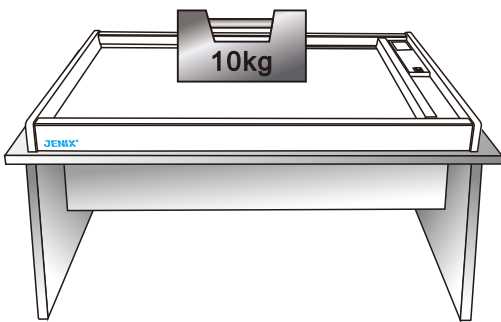
- 1** Turn off the unit. While pushing the set button with a pin, turn on the unit.  
(remove the pin after turn on)



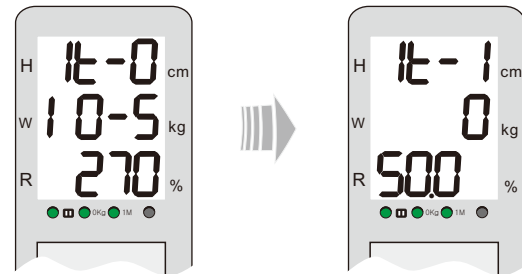
- 2** Please wait until 00-5 change to 10-5 in the second line.



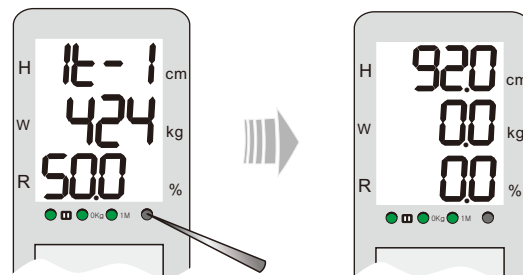
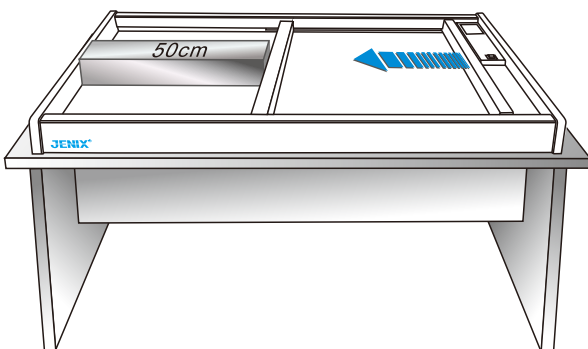
- 3** When 10-5 show, put the 10kg weight on the weighing board.



- Please wait until:  
in the 1st line, 1t-0 turn to 1t-1  
in the 2nd line, 10-5 turn to 0  
in the 3rd line, 50.0 show



- 4** 1. Place left end of the 50cm stick to the left wall of the scale and  
2. move the touch-bar to reach right end of the stick (maintain this state by using your left hand)  
3 push the set button with a pin.



Zero setting is now completed.  
Please test the scale with the stick & weight.

